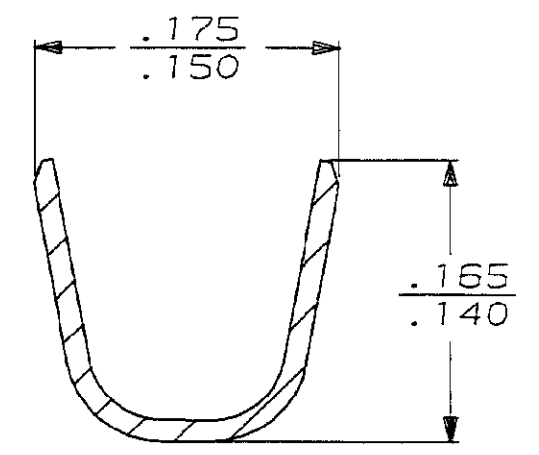
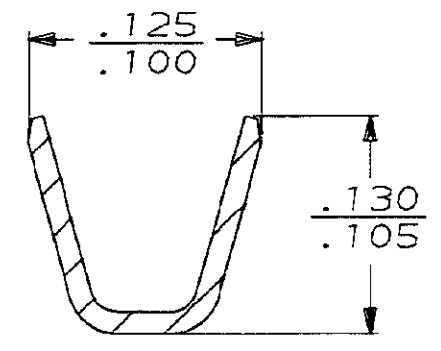
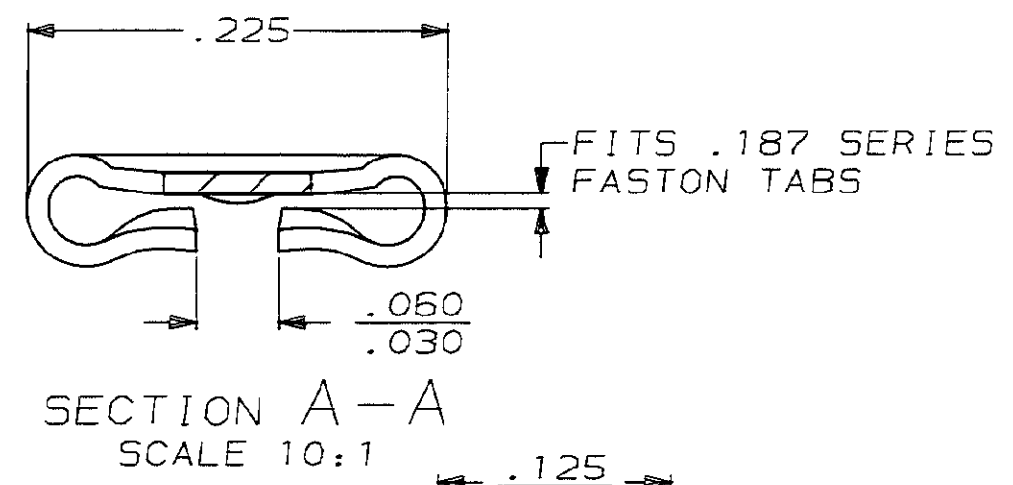
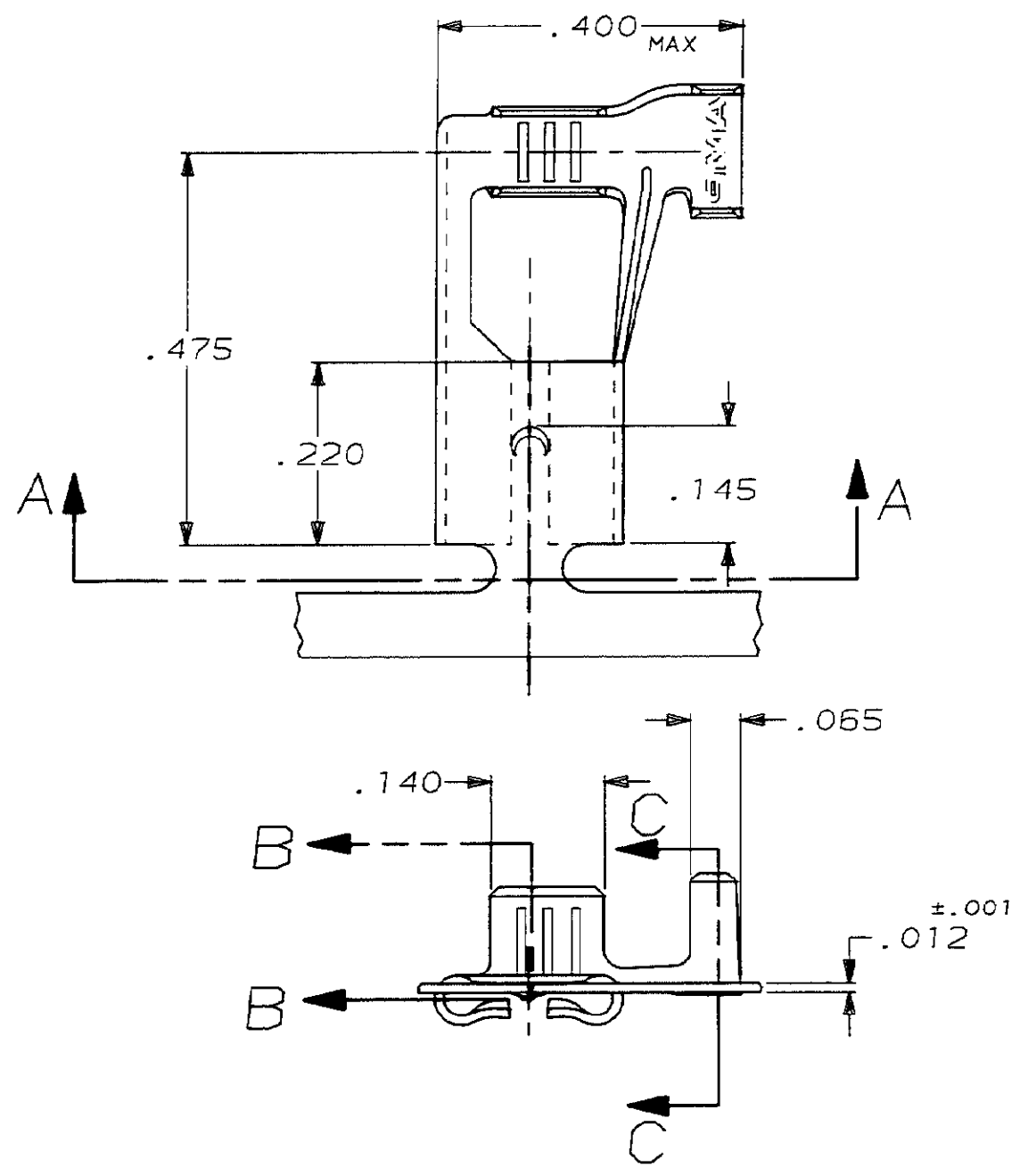


THIS DRAWING IS UNPUBLISHED. RELEASED FOR PUBLICATION .19
 © COPYRIGHT 19 BY AMP INCORPORATED. ALL INTERNATIONAL RIGHTS RESERVED.

LOC	DIST	P	F	ZONE	LTR	REVISIONS	DATE	APPD
AF	50				G	REVISED AF-7613	11/5/91	JR/CM



1 CONTINUOUS STRIP ON REELS.

.090-.130 DIA	20-16 AWG	TIN .000080 MIN	.020	60755-2
				50755-1
INSULATION RANGE	WIRE SIZE	FINISH	MATING TAB THK ±.001	PART NO
DO NOT SCALE PRINT. UNLESS SPECIFIED DIMENSIONS ARE IN INCHES. TOLERANCES ON: 2 PLC DEC ± - 3 PLC DEC ± .015 ANGLES ± -	DR 11/5/91 JR RUTH CHK 11/5/91 MS FEHER APPD 11/5/91 C MEYERS APPD 11/5/91 D REINER PRODUCT SPEC	AMP AMP Incorporated Harrisburg, PA 17105-3608 NAME RECEPTACLE, FASTON, FLAG, .187 SERIES		
MATERIAL H04 BRASS	FINISH SEE TABLE	SIZE B	CAGE CODE 00779	DRAWING NO 60755
	APPLICATION SPEC	SCALE 5:1	SHEET 1 OF 1	
	WEIGHT			